

# PYROSWISS® SBS (Smoke Barrier System)

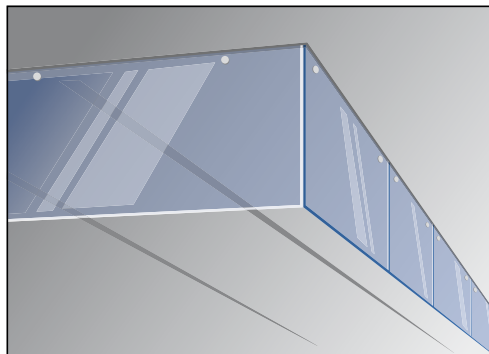
Static smoke barrier system application with toughened fire resistant safety glass

## CLASSIFICATION

**DH** = temperature/time classification for smoke barriers operating at higher temperatures (EN 1363-1) in conformance with EN 12101-1

## SYSTEM DESCRIPTION

PYROSWISS® SBS (Smoke Barrier System) controls the movement of fire and hot smoke within buildings by forming a fixed, transparent high temperature barrier.



## APPLICATIONS

- smoke reservoir boundaries
- channeling screens
- corridor containment
- escalator containment
- stairwell containment
- elevator containment

## TECHNICAL SPECIFICATIONS

System name	PYROSWISS® SBS
Reaction to Fire (EN 13501-1)	A1
Application	Static fixed smoke barrier
Assessment No.	Efectis - France, 12-E-176
Fire resistance (EN 12101-1)	DH 30 and D <sub>600</sub> 30 classification
CE certificate No. of conformity	0336-CPD-5064-E/06

## TECHNICAL CHARACTERISTICS

Product Standard (Glass)	EN 14179
Nominal glass thickness	6 mm
Thickness tolerance	±0,2 mm
Width and length tolerance	±2 mm
Impact resistance (EN 12600)	1(C)1 classification
Transparence	Remains transparent in case of fire
Weight	15 kg/m <sup>2</sup>
Light transmission (EN 410)	89%

## FIELD OF APPLICATION

Fire protection	bi-directional
Fittings / brackets	Electro Galvanized steel or stainless steel
Supporting construction	Concrete or lightweight partition wall type 98/48 (or greater)
Maximum tested glass size	1500 x 1100 mm (W x H)
Minimal dimensions	Minimum production size
Number of holes per glass panel	2 holes (minimum)
Distance from hole to glass edge (W1)	100 mm ≤ W1 ≤ 375 mm
Maximum spacing between holes (W2)	750 mm
Gap at head (a to f)	10 mm
Gap at edge (g)	20 mm
Gap at intermediate joint (h)	5 mm

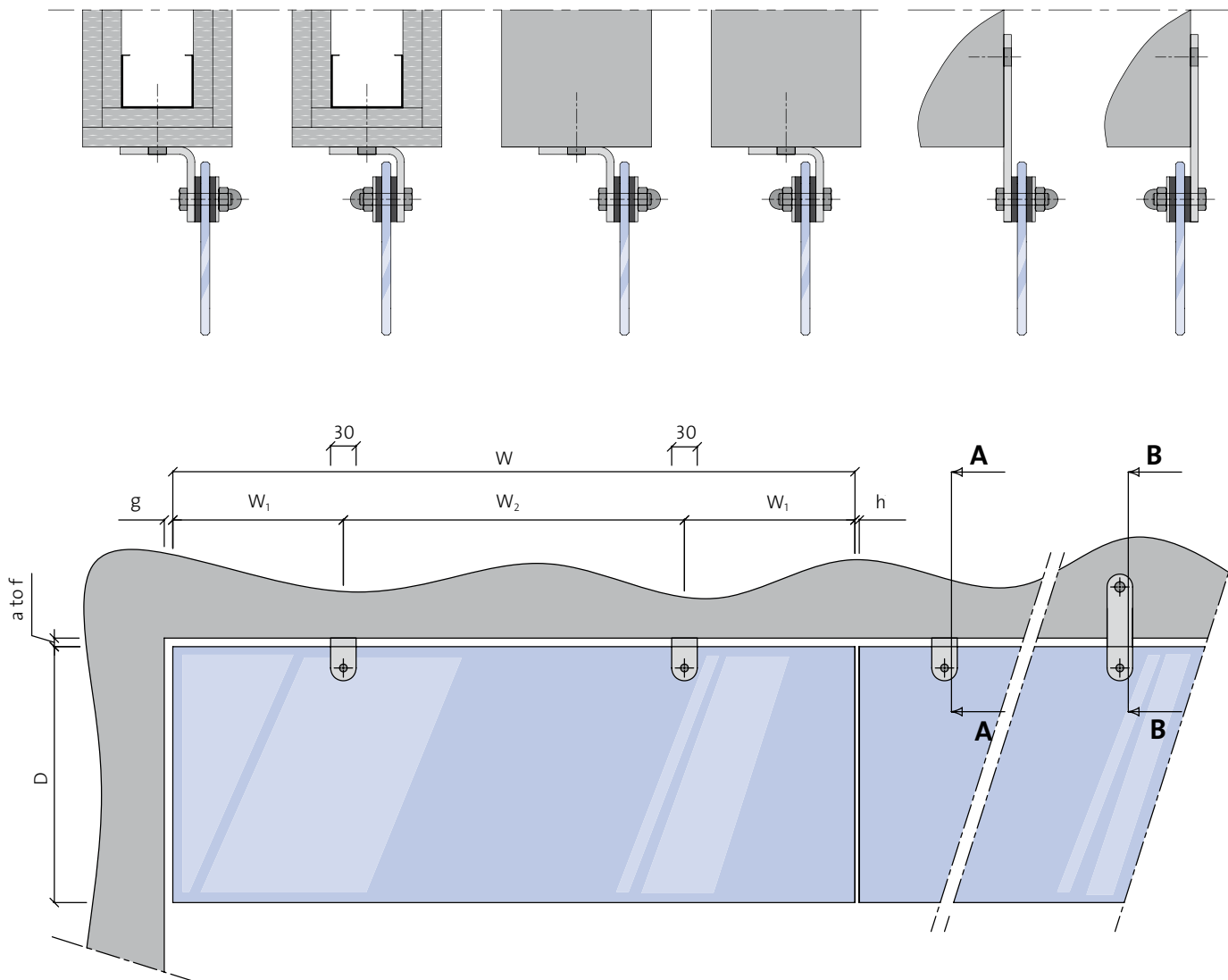
## OPTIONS

	consult with your Vetrotech representative
	• Glass shapes      • self-adhesive film

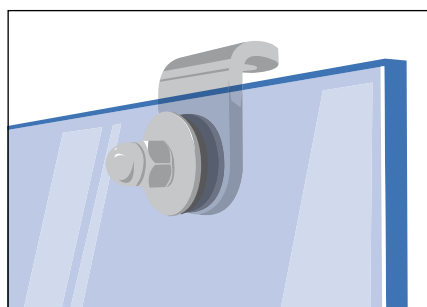
©2013 / subject to change without notice / August 2013 / version 2.0 INT en - type 03

# PYROSWISS® SBS (Smoke Barrier System)

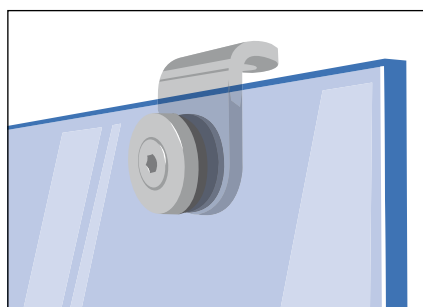
Static smoke barrier system application with toughened fire resistant safety glass



## FIXING TYPES



System «ECO»  
Electrogalvanized steel fitting



System «DESIGN»  
Stainless steel fitting

W	≤ 1500 mm
D	≤ 1100 mm
$W_1$	≥ 100 mm ≤ 375 mm
$W_2$	≤ 750 mm
a to f	10 mm
g	20 mm
h	5 mm

# Installation guidelines

## PYROSWISS® SBS (Smoke Barrier System)



1 Verify that the supporting construction is level.



2 Locate the fixing points of the brackets on the supporting construction (concrete or lightweight partition).



3 Check the alignment of the brackets.



4 Verify that the brackets are level, shim as required.



5 Prepare the brackets placing the Chloroprene washers onto the bolts, (fasteners and washers are supplied with the kit).



6 Insert the Chloroprene grommets into the holes in the glass panels, then align over the fittings.



7 Holding the glass panel in place, assemble the outer Chloroprene washers and steel rings, then tighten securely.



8 Verify perimeter gaps (a to f) and alignment of the glass panels, adjust as necessary.

# PYROSWISS® SBS (Smoke Barrier System)

Static smoke barrier system application with toughened fire resistant safety glass

## Two standard fitting options

SYSTEM «ECO»  
Electro Galvanized Steel



SYSTEM «DESIGN»  
Stainless Steel



0336

Vetrotech Saint-Gobain International AG  
Bernstrasse 43, CH-3175 Flamatt

12

0336-CPD-5064-E/06

EN 12101-1

Static smoke barrier, type SSB

Resistance to fire classification DH 30 and D<sub>600</sub> 30

Response delay NPD

Opening, gaps and perimeter spaces:

Gap<sub>head</sub> (a to f) 10 mm

Gap<sub>edge</sub> (g) 20 mm

Gap<sub>joint</sub> (h) 5 mm

Area<sub>head</sub> = W x Gap<sub>head</sub> 15000 mm<sup>2</sup>

Area<sub>edge</sub> = D x Gap<sub>edge</sub> 22000 mm<sup>2</sup>

Area<sub>joint</sub> = D x Gap<sub>joint</sub> 5500 mm<sup>2</sup>

Area total = N1 x Area<sub>head</sub> + N2 x Area<sub>edge</sub> +

N3 x Area<sub>joint</sub>

Maximum barrier permeability NPD

Tested at ambient temperature NPD

We Know Fire.

[www.vetrotech.com](http://www.vetrotech.com)